

**GCC**<sup>®</sup>

**ODC-730**

# Overhead Door Closer



Power Adjustable EN 2~5





**ODC-730 Series is a high end quality offers multi-function operation for architectural and Commercial applications.**

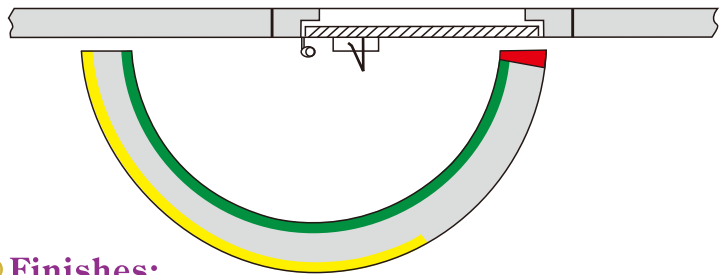
- Four different power adjustable(EN2~5) for interior or exterior doors.
- Suitable for LH(left hand) and RH(right hand) doors.
- Non-handed Installation.
- Adjustable Backcheck.
- Delay action (Optional).

**Construction & Technical Details:**

- Body Constructed with precision extruded aluminium alloy, and steel arm passively against rust & high quality steel internal Components.
- Compact design with minimized projection allowing installation to door having adjacent return wall at 90°.
- Heat treated steel rack & pinion immersed in high grade oil operate a nest of coils to give a smooth precise action & minimum wear.
- Extra tensile strength alloy steel springs.
- A built-in pressure relief valve protects the closer against abuse usage.
- Stable hydraulic fluid-low sensitivity to temperature change.
- Totally reversible without adjustment.

**Date & Features**

Closing Force, Spring Strength	EN2~5
Standard Door Width:	850~1250mm.
Standard Door Weight:	40~100kgs.
Max. Opening Angle :	180°
Closing Speed Adjustable :	180°~15°
Adjustable Latching Action :	15°~0°
Backcheck from approx :	70°~180°



**Finishes:**

- Baked Painted:Silver, White, Black, Brown Gold.
- Other Colors upon request.

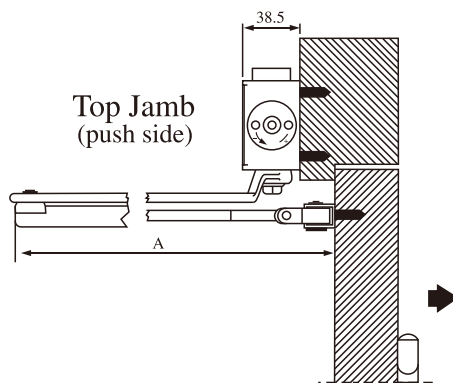
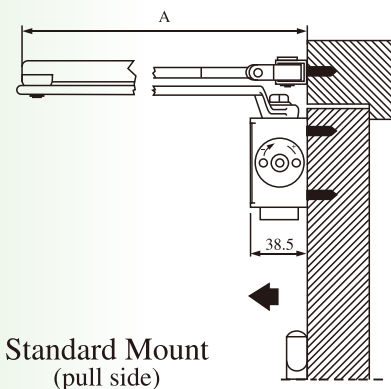
**Certificates & Approvals:**

- BS EN1154:1996+A1:2002
- BS EN1634:Part 1 & 3:2000
- CE mark.

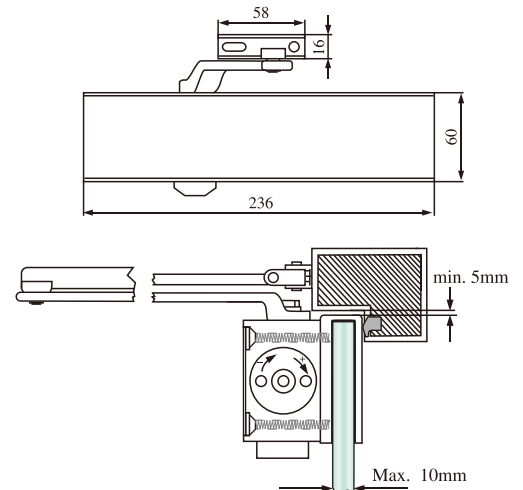
**ODC-730B Overhead Door Closer (Body Only)**



Dimension A for standard =approx.275mm  
 Dimension A for hold-open arm =approx.285mm

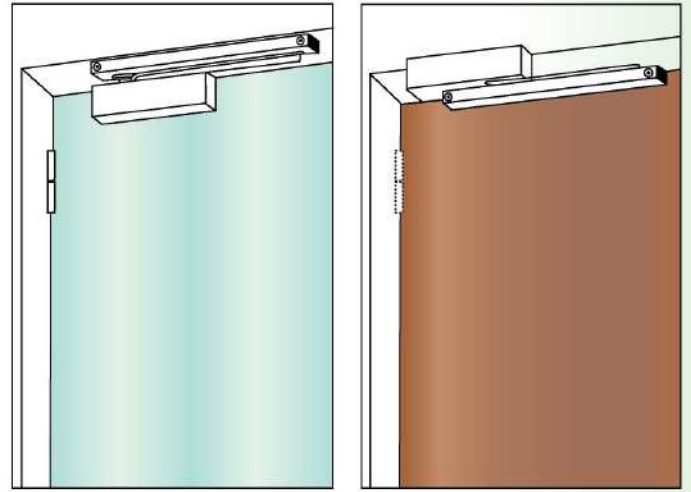
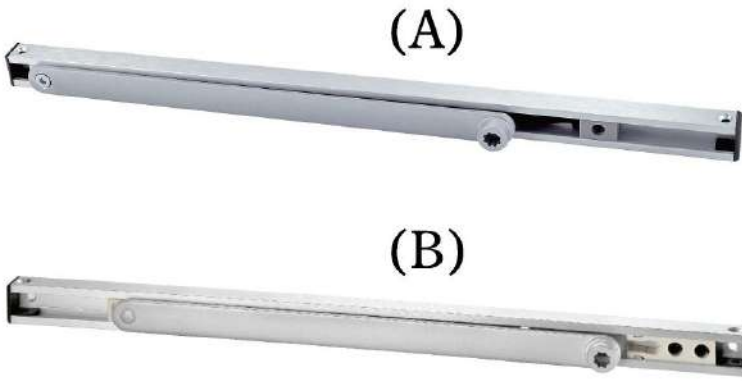


Standard Arm With Saddle Plate (FP-02).



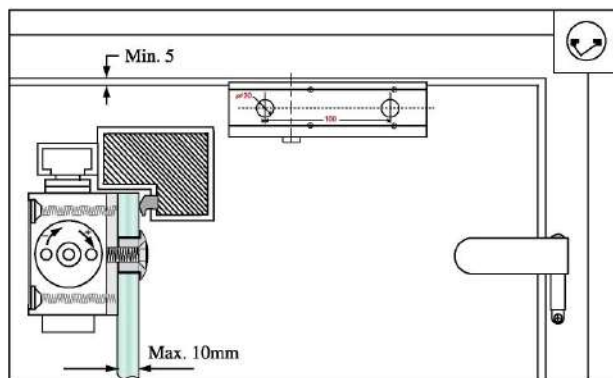
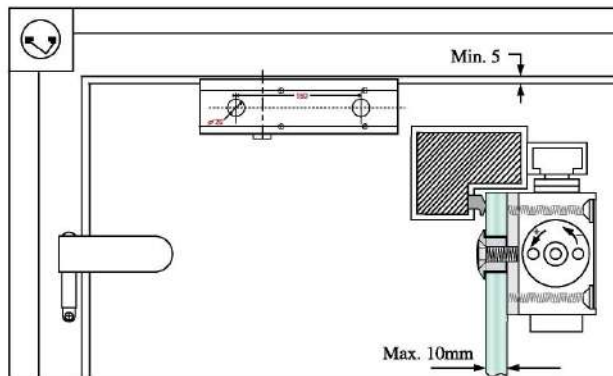
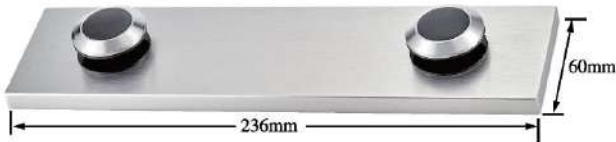
### SLC-01 Slide Arm and Channel

- for hold-open



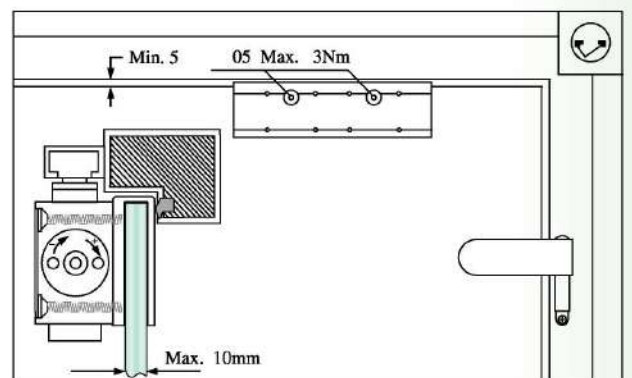
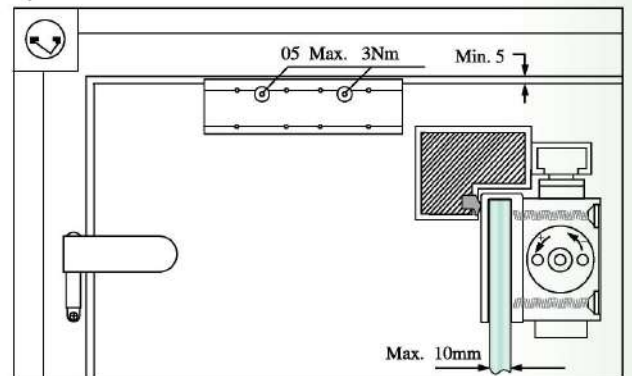
### FP-01 Fixing Plate

- For fix Door Closer on glass door panel.
- Two Ø20mm holes required on glass door panel.
- For 10mm glass use

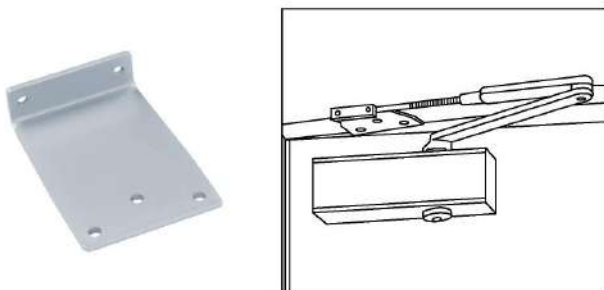


### FP-02 Saddle Plate

- For fix ODC-730B Door Closer on glass door panel.
- No hole required on glass door panel.
- For 10mm glass use

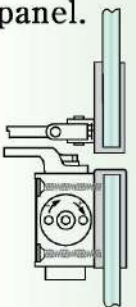
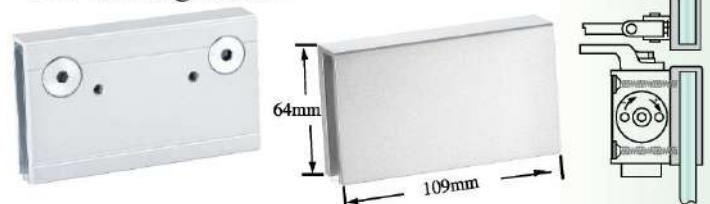


### PB-01 Parallel Bracket



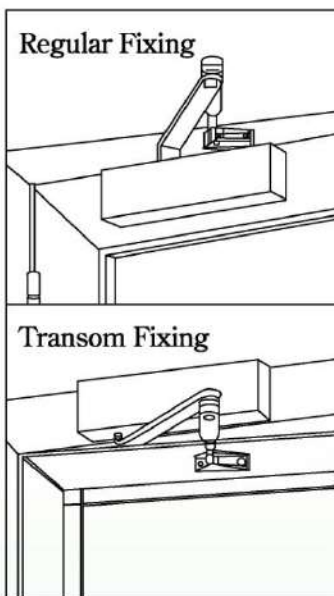
### FP-04 Saddle Plate

- For fix Standard Arm on glass Overpanel.
- No hole require on glass panel.
- For 10mm glass use





### AM-7301 Standard Arm



### AM-7302 Hold Open Arm

- Angle adjustable



- Detail installation instruction packed with closer.

## GCC<sup>®</sup> Door Controllers



- For products detail information or technical assistance, please contact your nearest **GCC<sup>®</sup>** distributors.



### GOOD CREDIT CORPORATION

No.13,Longmen Rd., Situn Dist., Taichung 40757,Taiwan

E-mail : gcctw@ms7.hinet.net

Tel : 886 - 4 - 22583755 ( Hunting Line )

Fax : 886 - 4 - 22583753

<http://www.gccintw.com.tw>

Agent / Distributor

