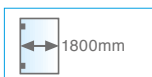


BZ06



• Kit Hip-zac per box doccia con 2 spalle in vetro da 1200 a 1800mm.

• Kit Hip-zac para box ducha: dos lados en vidrio desde 1200 a 1800mm. Sección redonda.

• Hip Zac kit with 2 fixed glass panels 1200-1800mm. Round section.

• Schiebetürsystem Hip Zac mit 2 starren Glasplatten 1200-1800mm. Rundschnitt.

• Kit Hip-zac pour cabine de douche avec 2 retours en verre de 1200 à 1800mm. Section ronde.

HIP-ZAC system

BZ06K

composto da / composed of



2 x BZ10



1 x BZ51



1 x BZ60



1 x BZ30



2 x BZ70



2 x BZ80

+

BZ0K43

composto da / composed of



1 x BZ58



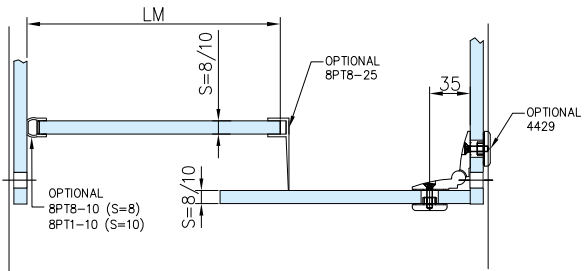
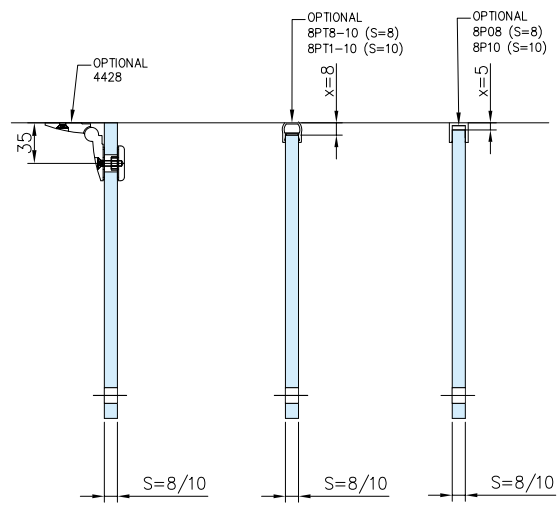
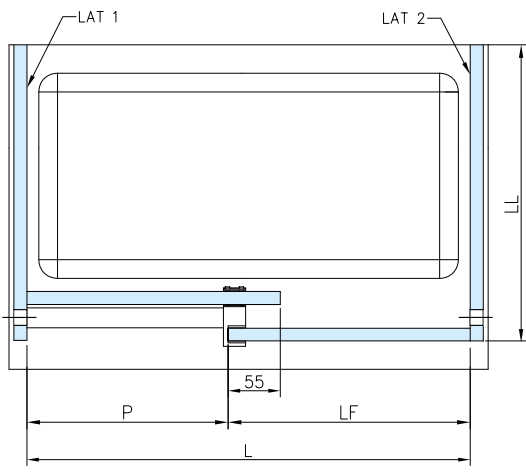
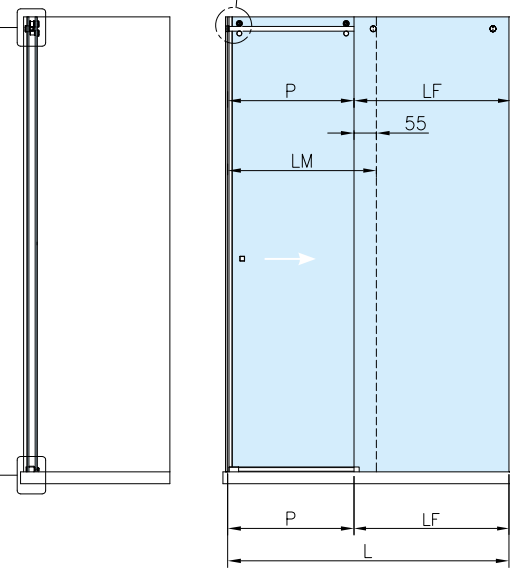
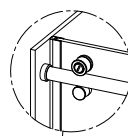
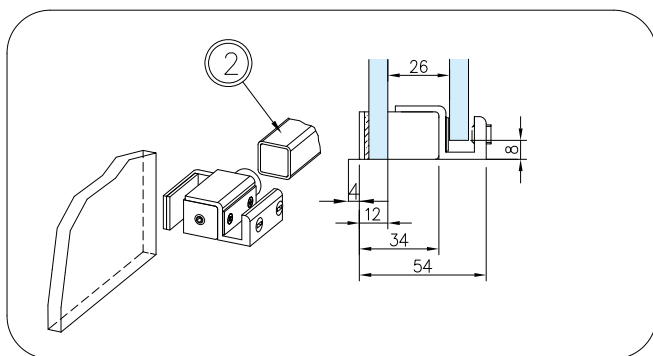
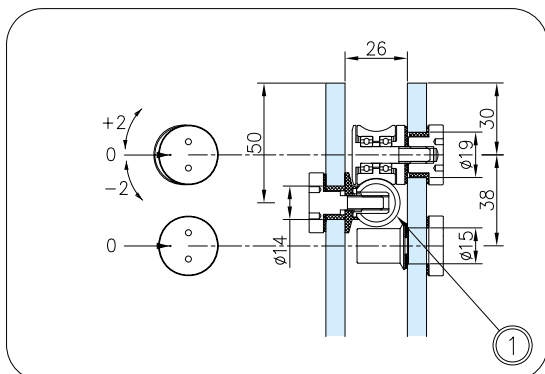
1 x BZ43



BZ06

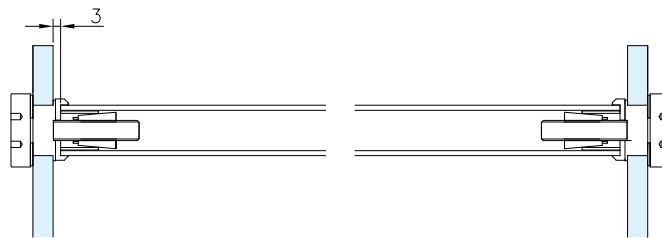
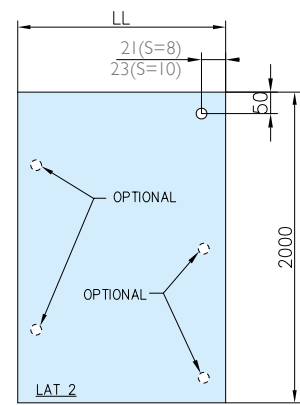
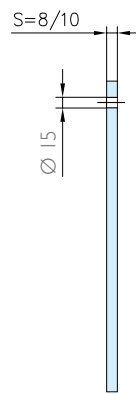
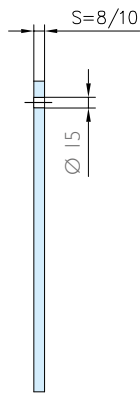
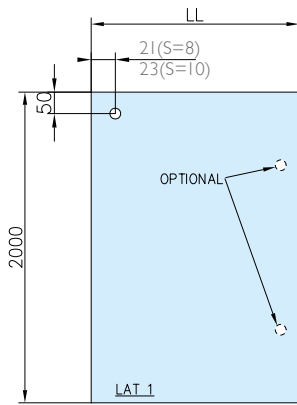
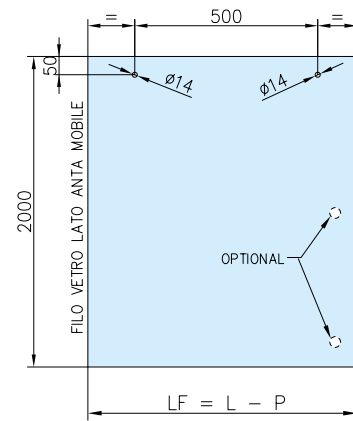
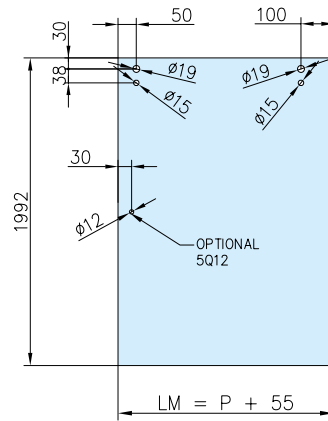
HIP-ZAC system

| | | |
|-----------------------|-----------------------------------|------|
| DATI (Data) | $L = \min 1200 \div \max 1800$ | (mm) |
| DEFINIRE (Define) | $P = \min 450 \div \max (L/2-55)$ | (mm) |
| CALCOLARE (Calculate) | $LM = (P+55)$ | (mm) |
| CALCOLARE (Calculate) | $LF = (L-P)$ | (mm) |
| DEFINIRE (Define) | LL | (mm) |

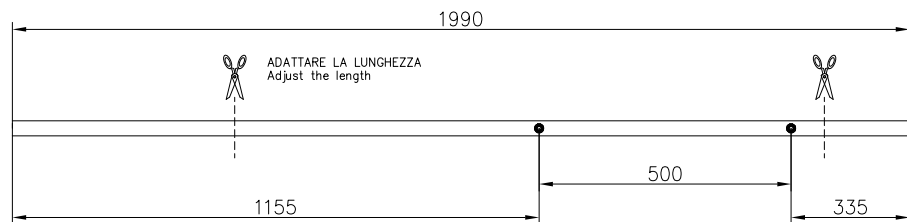


BZ06

HIP-ZAC system



① D.20x1.5



② 20x20x1.5

