

BZQ3



• Kit Hip-zac per box doccia in nicchia da 1200 a 1800mm.
Sezione quadrata.

• Kit Hip-zac para box ducha de nicho desde 1200 a 1800mm.
Sección cuadrada.

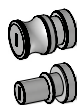
• Hip Zac niche kit 1200-1800mm.
Square section.

• Schiebetürsystem Hip Zac für Nische 1200-1800mm. Vierkantschnitt.

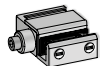
• Kit Hip-zac pour cabine de douche en niche de 1200 à 1800mm.
Section carrée.

HIP-ZAC system

BZQ3K composto da / composed of



2 x BZ10Q



1 x BZ51



2 x BZ90Q



1 x BZ60



1 x BZ30Q



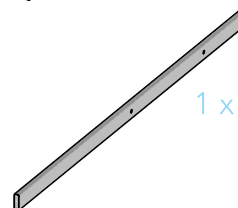
2 x BZ70Q

+

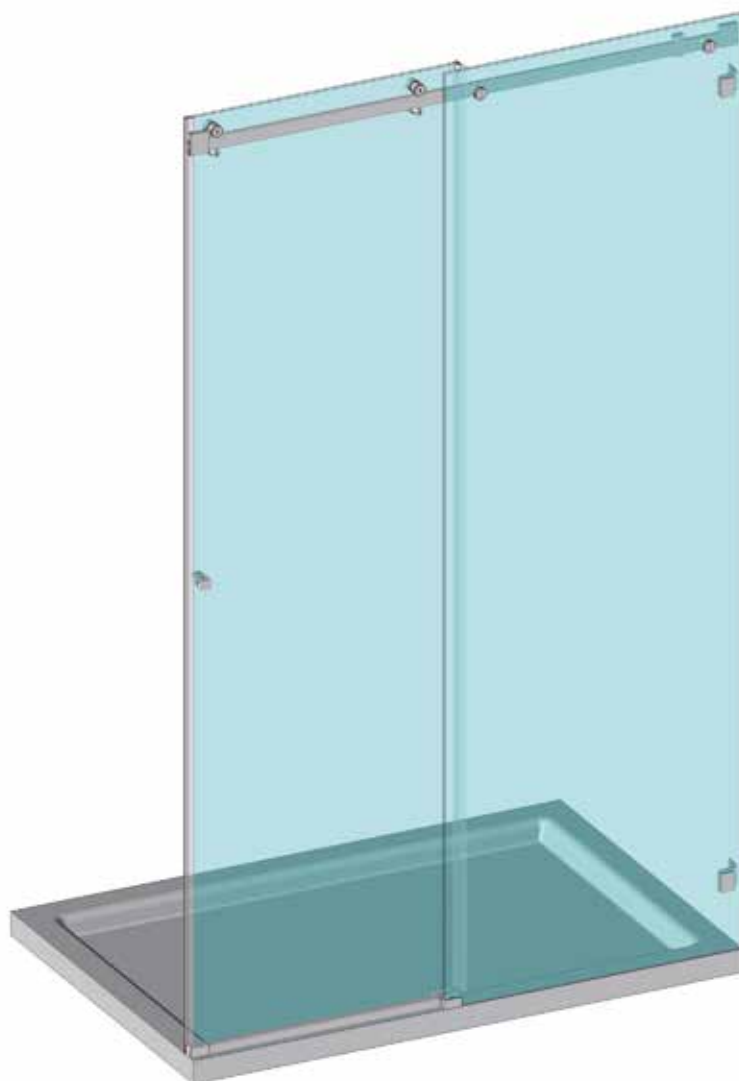
BZQK43 composto da / composed of



1 x BZ58



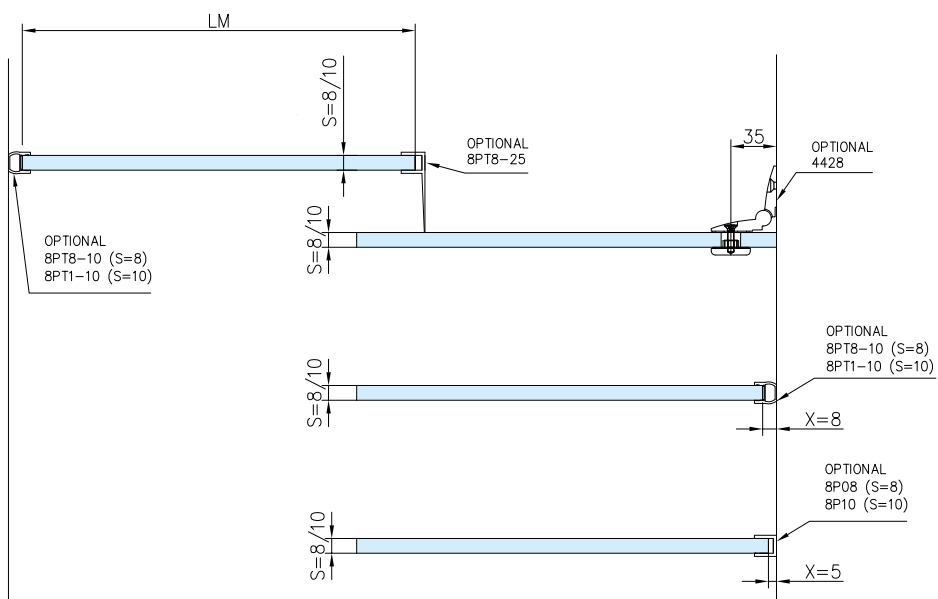
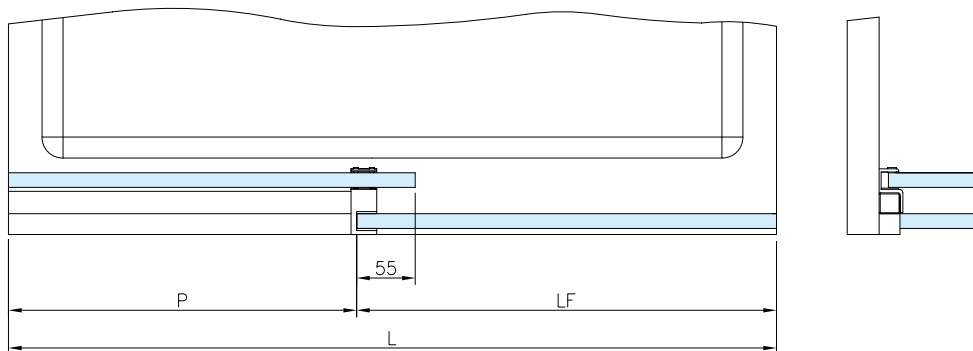
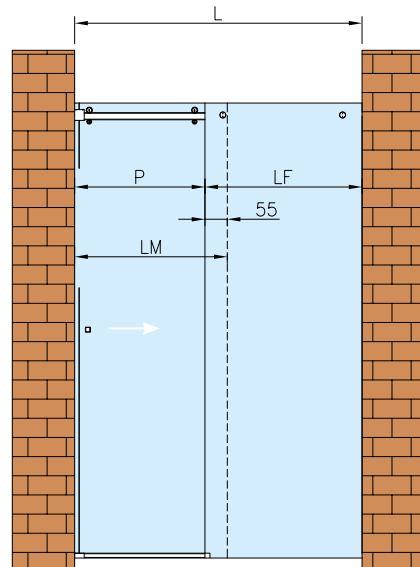
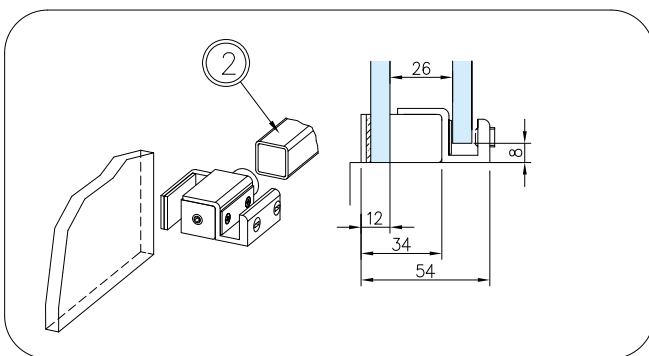
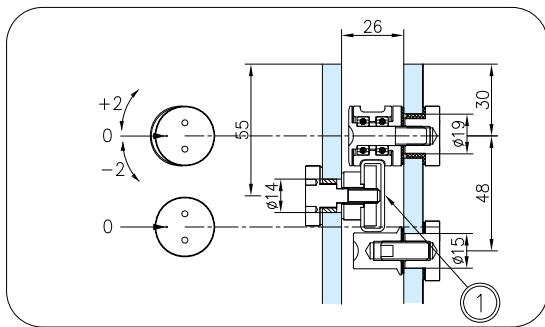
1 x BZ43Q



BZQ3

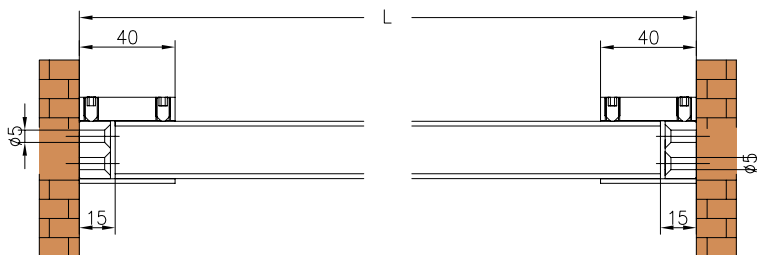
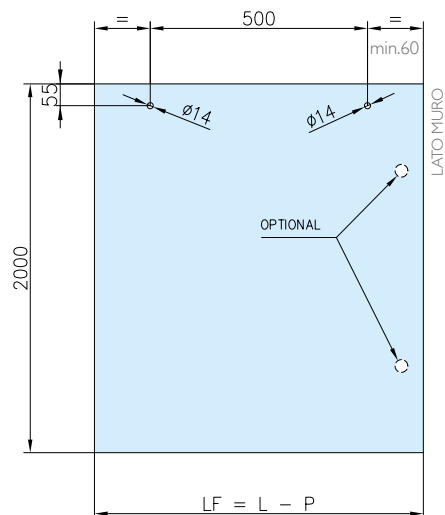
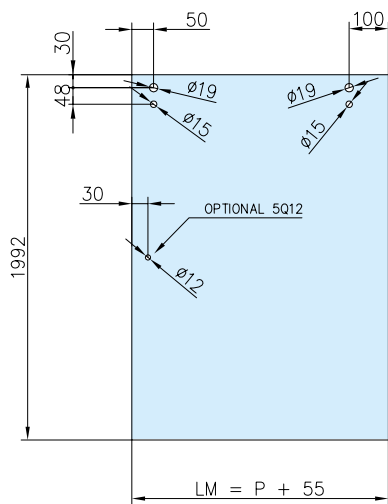
HIP-ZAC system

DATI (Data)	$L = \text{min } 1200 \div \text{max } 1800$	(mm)
DEFINIRE (Define)	$P = \text{min } 450 \div \text{max } (L/2-55)$	(mm)
CALCOLARE (Calculate)	$LM = (P+55)$	(mm)
CALCOLARE (Calculate)	$LF = (L-P)$	(mm)

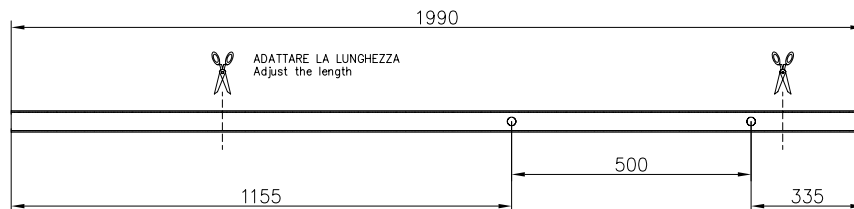


BZQ3

HIP-ZAC system



① 30x10x1.5



② 20x20x1.5

